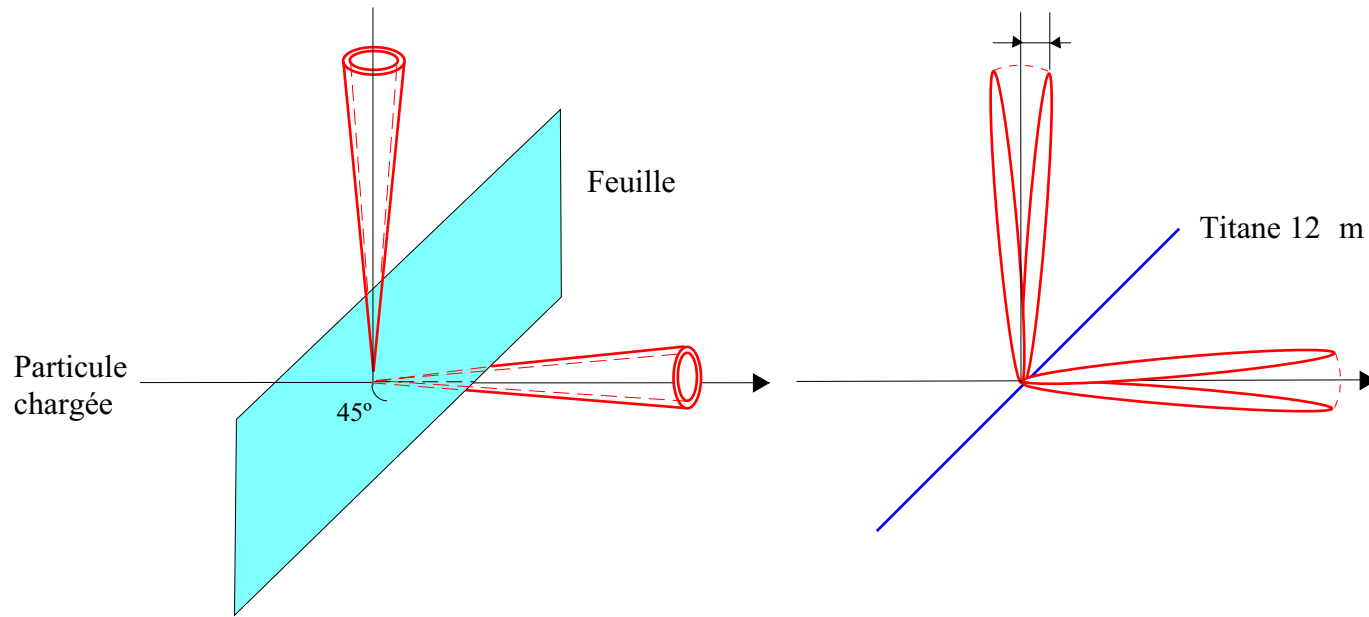
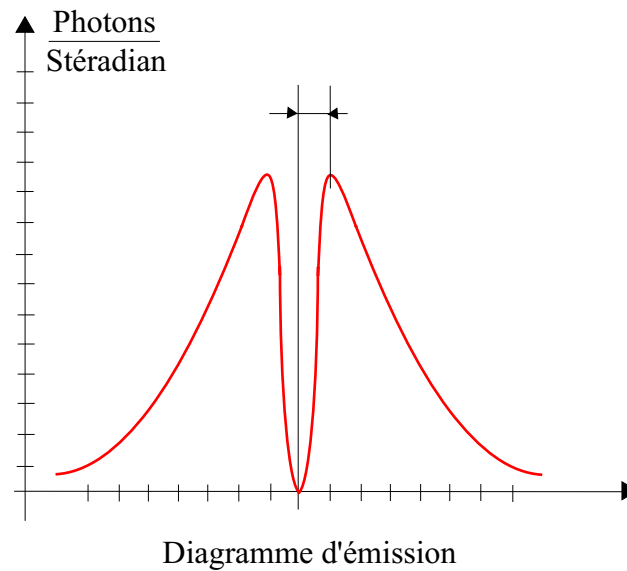
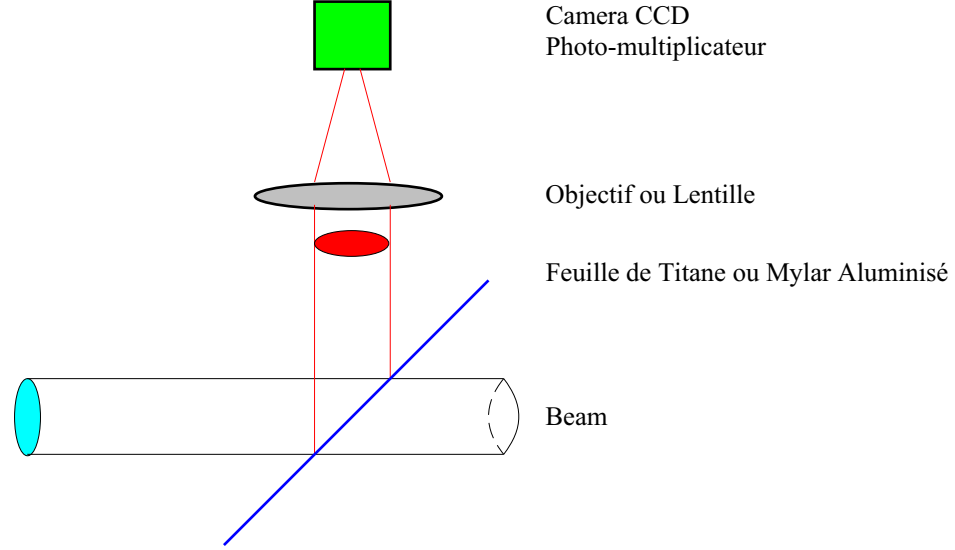


Optical Transition Radiation

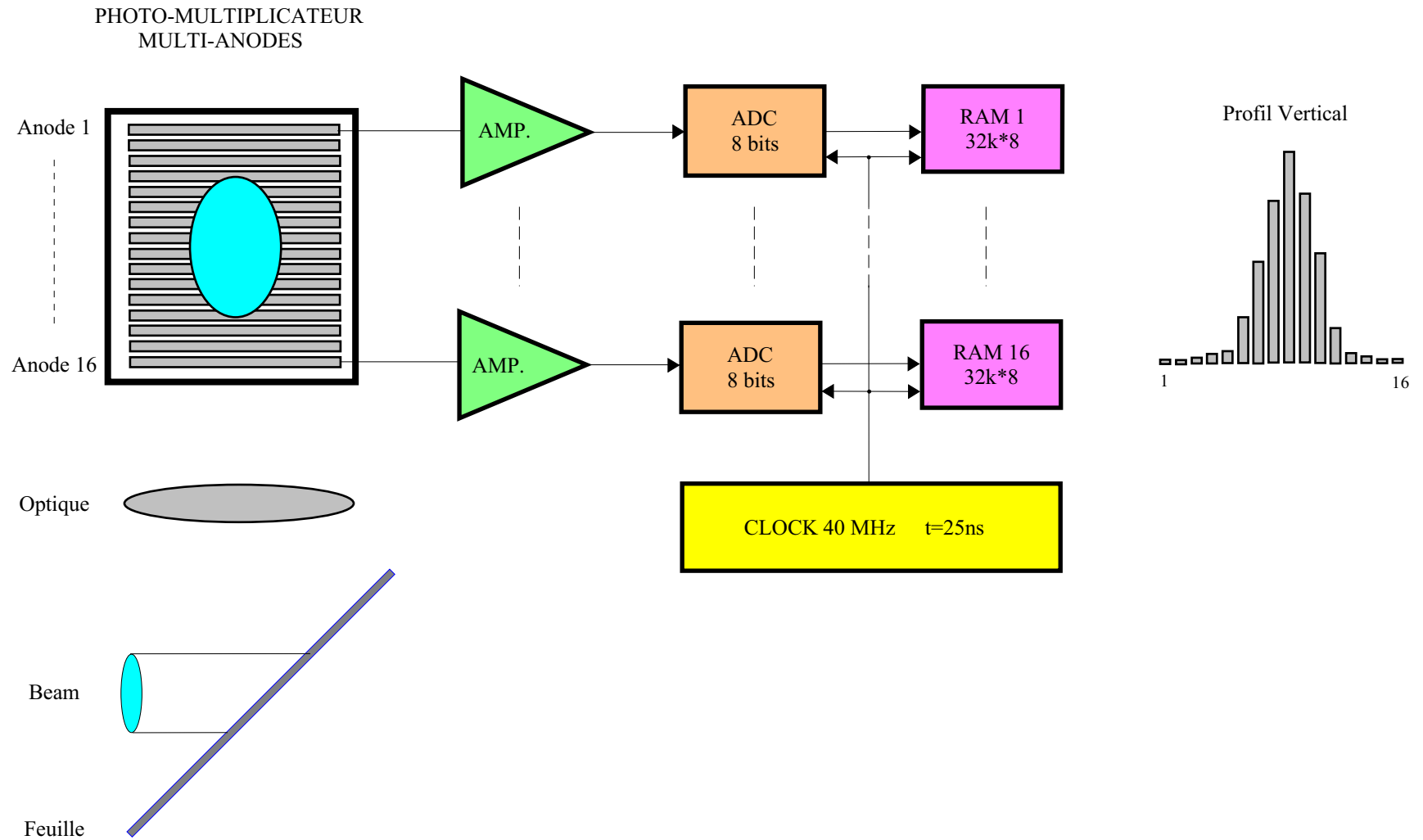


P	E		
E+, E-	3.5 GeV	6850	0.14 mrad
Protons	14 GeV	14.9	67 mrad





OTR FAST MULTI-PROFILES



BTV PROFILE

